

» **Features**

- New Design-Duble Layer Illuminated Push Switch.
- Clip type contacts are applied to ensure high reliability.
- Right Angle type and the PBC board become 90 degrees when soldered.
- Protection from Flux Entry Terminals are all completely sealed by epoxy.
- Many LED lights are available.
- Various symbols can be engraved on the cap



» **Applications**

- Operating switches in all types of electronic equipment such as audio apparatus, office equipment, communications apparatus, TV sets, VCRs, etc.

» **Specifications**

Rating	0.1A 30VDC
Insulation Resistance	100MΩ Min (at 500 VDC)
Dielectric Strength	AC 500V (50/60 Hz for 1 minute)
Contact Resistance	50mΩ Max. (Initial)
Electrically Life	10,000 Cycles Min
Ambient Temperature	-10°C~ +80°C
Operating Force	150 ± 100gf (Momentary)
	250 ± 100gf (Alternate)
	200 ± 100gf (Momentary With Click)

» **LED Specifications**

Color	VR	IF	Recommended Operating Current	VF	
				Nom	Max
Red	DC 5V	20mA	20mA	1.7V	2.4V
Green	DC 5V	20mA	20mA	1.9V	2.4V
Yellow	DC 5V	20mA	20mA	1.9V	2.4V
Blue	DC 5V	20mA	20mA	3.0V	3.6V
White	DC 5V	20mA	20mA	3.0V	3.6V

For the specification about the other LEDs, please contact with sales department

» **Product selection**

PB 6131

RFIL - [] - [] - [] - [] - [] - [] - []

UP	DWON
FUNCTIO	
A	Alternate
B	Momentary
C	Momentary with click

UP	DWON
LED COLOR	
1	Red
2	Yellow
3	Green
4	Blue
5	White
6	Pure Green
8	Amber
9	Blue Green
10	Pink
011	Purple
12	Red/Yellow
13	Red/Green
14	Red/Blue
23	Yellow/Green
48	Blue/Amber
52	White/Yellow
58	White/Amber
-	Non-LED

UP CAP COLOR	
1	Misty Silver
2	Bright Silver
3	Gold
4	White
5	Bight Black
6	Red
7	Misty Black
8	Sky blue
9	Gunme black
A	Orange

DWON CAP COLOR	
1	Misty Silver
2	Bright Silver
3	Gold
4	White
5	Bight Black
6	Red
7	Misty Black
8	Sky blue
9	Gunme black
A	Orange

UP LASER ETCHING			
01	⏻	06	⬆
02	○	07	⬇
03	OK	08	⊙
04	⇒	09	⊙
05	⇐	10	▲

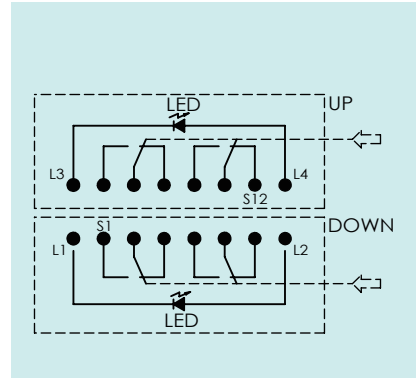
DWON LASER ETCHING			
01	⏻	06	⬆
02	○	07	⬇
03	OK	08	⊙
04	⇒	09	⊙
05	⇐	10	▲

Please inquire about the deals with our sales representative.

Please inquire about the deals with our sales representative.

» Circuit

Type	Switch Action		
PB613A	Normal ON	Push to lock ON	
Connecting Terminal	1 - 2 4 - 5	2 - 3 5 - 6	
PB613B	Normal ON	Push (ON)	
Connecting Terminal	1 - 2 4 - 5	2 - 3 5 - 6	
LED Circuit			



» Operating characteristics

Unit: mm

Dimensions

P.C.B Layout

PB6131 RFIL-33-577-5170

